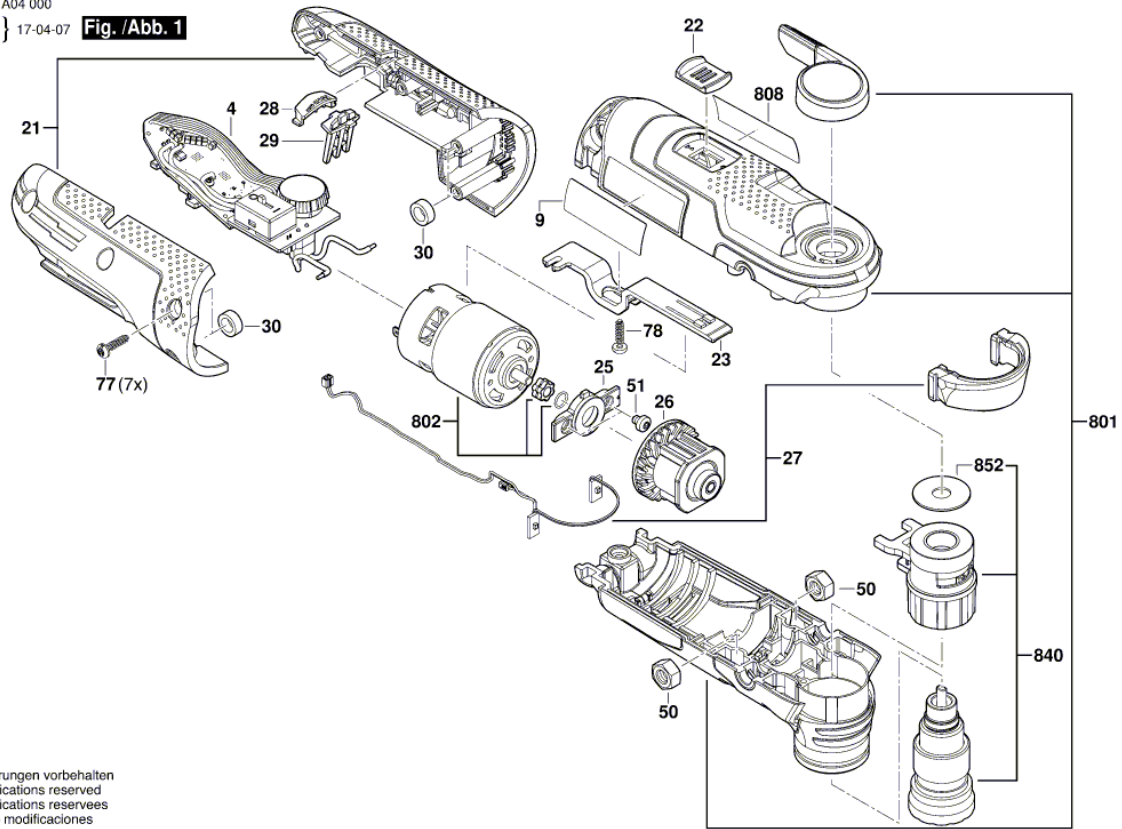


Illustration - Type - E

3 603 A04 000  
Stand } 17-04-07  
Issue }

Fig. /Abb. 1



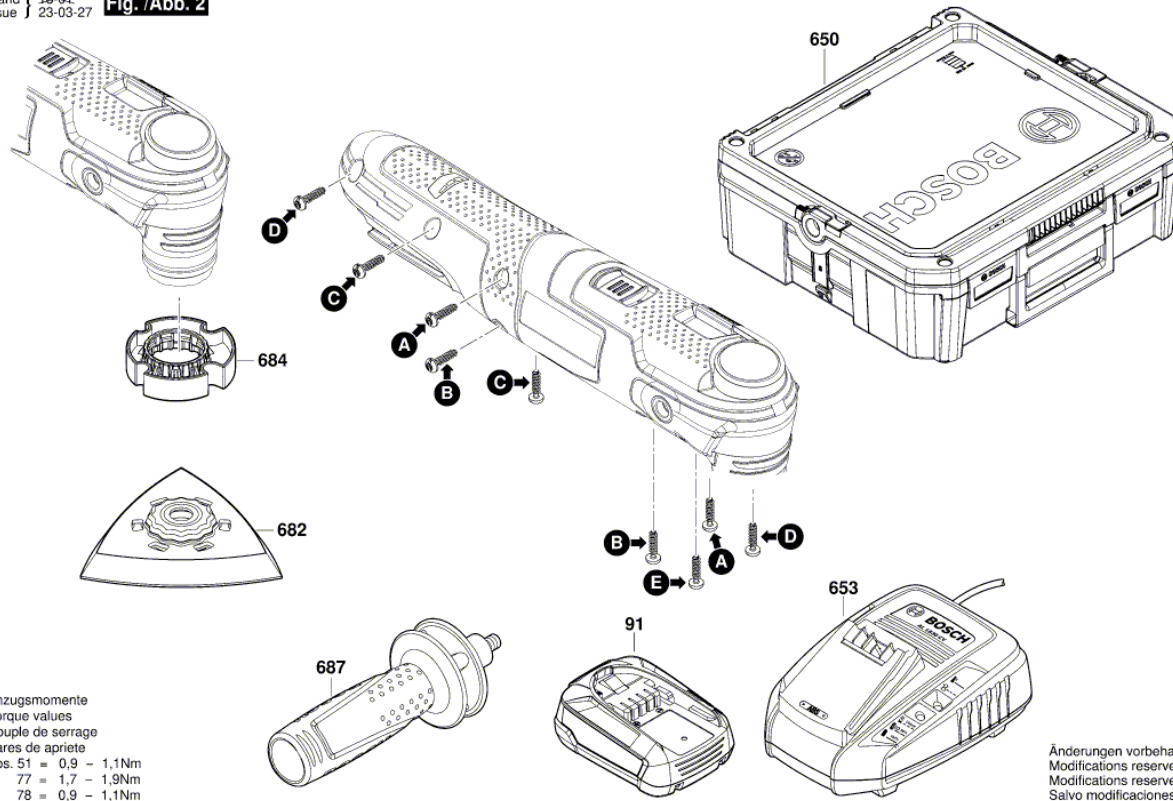
Änderungen vorbehalten  
Modifications reserved  
Modifications reserves  
Salvo modificaciones

## Spare parts list

Item	Part Number	Description	Illustration
4	1 600 A00 PG5	Electronic Module	1
9	1 601 11C 20A	Manufacturer's nameplate 18 AdvanvedMulti	1
21	1 605 806 5D3	Housing	1
22	2 609 005 541	Slide Button	1
23	1 600 A01 003	Slider	1
25	1 600 A00 K1E	Flange	1
26	1 600 A00 MW8	Clutch Housing	1
27	1 600 A00 K1F	Light Unit	1
28	6 082 763 10K	Cover	1
29	1 600 A00 ZT1	Lens	1
30	1 600 A00 H25	Damping Ring	1
50	2 915 011 009	Hex Nut DIN 934-M8-8-A	1
51	2 603 414 049	Torx SH cap screw M4x8-4,8-Z	1
77	2 603 490 022	Screw 4x16	1
78	2 609 110 201	Torx Flat-Head Screw 3x16	1
801	1 605 806 5JK	Housing	1
802	1 607 022 66P	DC motor	1
808	1 601 11A 4ML	Nameplate	1
840	1 600 A00 Y5F	Toolholder	1
852	1 607 000 C6D	Felt Disc	1
91	2 607 337 199	Battery Pack PBA 18V 2,5 Ah W-B	2
650	1 600 A01 3NM	Carrying Case S	2
653	2 607 225 965	Fast Charger EU AL 1830 CV 230/14,4-18V 1h	2
653	2 607 225 967	Charger GB AL 1830 CV 230/14,4-18V 1h	2
653	2 607 225 969	Charger AUS AL 1830 CV 230/14,4-18V 1h	2
682	1 600 A00 8LT	Sander Plate	2
684	1 600 A00 87V	Depth gauge	2
687	1 602 025 07V	Handle	2

Illustration - Type - E

3 603 A04 000  
 Stand | 18-01  
 Issue | 23-03-27 **Fig. /Abb. 2**



Anzugsmomente  
 Torque values  
 Couple de serrage  
 Pares de apriete  
 Pos. 51 = 0,9 - 1,1Nm  
 77 = 1,7 - 1,9Nm  
 78 = 0,9 - 1,1Nm

Änderungen vorbehalten  
 Modifications reserved  
 Modifications reserves  
 Salvo modificaciones